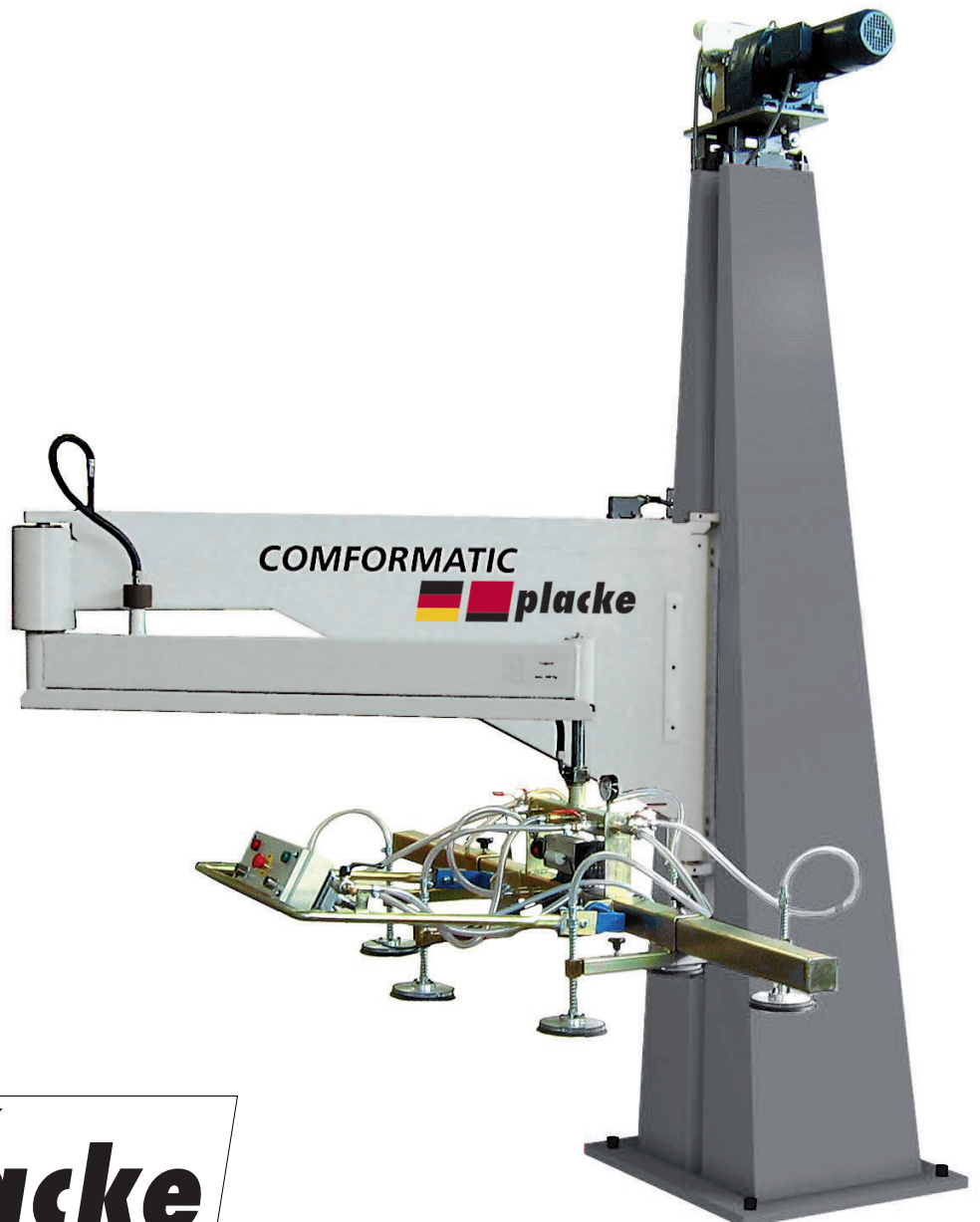


Handling device **Comformatic VT500**

With the help of this handling device only one operator is needed to handle large-area materials steadily and safely. The unit can be placed as an off-line equipment beside any type of machine. The price-performance ratio is convincing because the usual payback period is less than one year.

Main parts of the device: *(separately available)*

- Basic frame
- Swivelling arm
- Elevation traverse and control desk

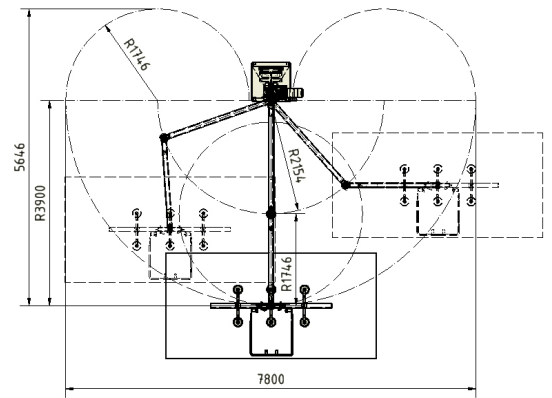
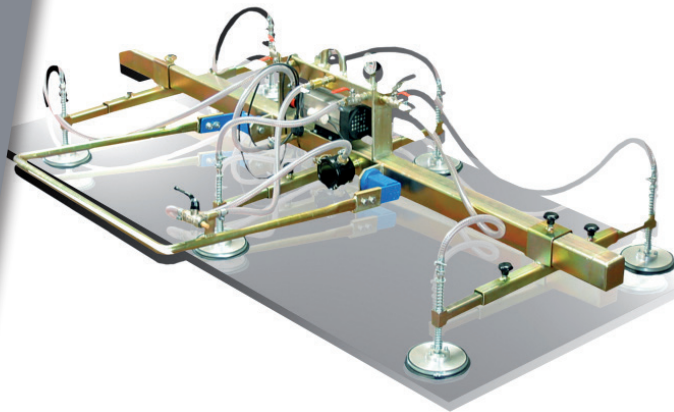


GERMAN PRODUCT MADE BY



Innovation and Quality from Niedersachsen

Handling device **Comformatic VT500**



Swivel range

Basic frame

The basic frame is a bended welded structure. The frame contains the roller guide for the height adjustment of the swivelling arm, the cable run of the control desk and the electrical cabinet. The base plate is manufactured with four threads to set up the handling device. The device is driven by a 400 V brake motor with a series slip clutch.

Swivelling arm

The swivelling arm is a square tube construction. The elbow arm has been designed with a chain guide in order to always handle the material parallel to the basic frame. The combination of welded square tubes and chain guide permits to put large-area materials and even heavy parts simply and safely onto a machine.

control desk

The elevation traverse is made of square tubes which are moveable into each other in order to handle products of different sizes without difficulty. The adjustable square tubes can be locked by a quick locking device. The traverse is equipped with six suction cups which are powered by a vacuum pump. To operate the device push buttons are placed at the control desk. This desk is hinge-mounted and equipped with two clamping elements.

Technische Daten	VT 500
elevation	500 kg
max. elevation height	1750 mm
hoisting speed	4 and 8 m/min
max. radius of swivelling	3900 mm
power supply	400 V / 50 Hz
max. product dimensions	4000 x 2000 mm ² (depending on load)
total height	3580 mm
total weight	850 kg



YOUR PARTNER IN BENDING & SPECIAL SOLUTIONS

ADDRESS Auf dem Platen 6-11
49326 Melle
Deutschland

PHONE +49 [0] 5422 959980
E-MAIL info@placke.de
SITE www.placke.de